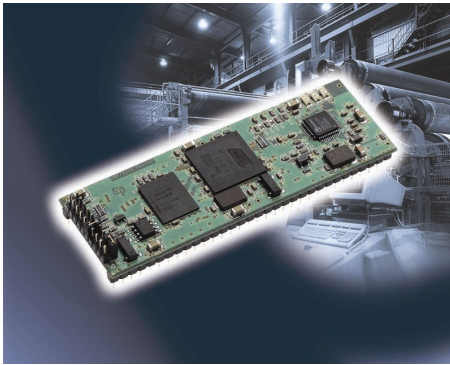


## Product Information

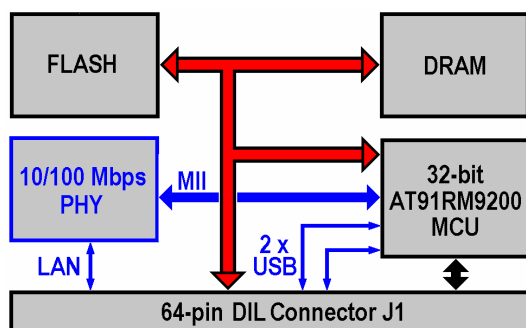
# DIL/NetPC DNP/9200

## Embedded Linux Module with Ethernet, USB Host and Device Interface



### Description

The DIL/NetPC DNP/9200 provides a very compact Atmel AT91RM9200 ARM9-based embedded controller with preinstalled U-Boot boot loader, Linux O/S, full-featured TCP/IP stack, Web (HTTP) server, Telnet and (T)FTP support, USB Host and Device port for embedded networking applications with Ethernet and USB connectivity.



**Block diagram DNP/9200:** The DIL/NetPC DNP/9200 comes with a 10/100 Ethernet LAN interface, 20-bit GPIO, 1 x SPI, 2 x UARTs, 1 x USB Host port and 1 x USB Device port. The 8-bit bus interface (available over the DIL-64 connector) supports the connection to external chips and devices. The main application area of the DNP/9200 is the field of Ethernet-to-USB gateways for modern industrial and laboratory environments.

The DNP/9200 is built around the Atmel 32-bit AT91RM9200 ARM9 microcontroller unit (MCU) running with 180 MHz. The external main components for the AT91RM9200 MCU are one Flash memory chip with 16 Mbytes, one 32 MByte SDRAM memory chip, and one PHY chip for the 10/100 Mbps Ethernet LAN interface.

The DNP/9200 offers the footprint of a standard 64-pin DIL socket with 2.54mm centers and all the hardware and software features necessary to add high-speed Ethernet and USB host and device connectivity capabilities to any product design. The DNP/9200 is developed specifically for products that need to be connected to 10/100 Mbps Ethernet-based TCP/IP networks on one side and USB devices on the other side.

The DNP/9200 USB host and device interface ports supports 12 Mbps full-speed as well as 1.5 Mbps low-speed transactions in compliance with the USB 2.0 specifications.

## Technical Data DNP/9200

### Basic

CPU	32-bit Atmel ARM9 MCU AT91RM9200
Speed	180 MHz
RAM	32 MByte SDRAM
Flash	16 MByte

### I/O Functions

Parallel (PIO)	20-bit GPIO
Serial I/Os	1 x SPI, 2 x UARTs,
USB Interfaces	1 x USB Device Port, 1 x USB Host Port (compliance with USB 2.0 full-speed and low-speed specification)
Bus Interface	8-bit for external expansion

### Special Functions

RTC	1 x Real Time Clock with external battery-backup
Watchdogs	1 x timer watchdog, 1 x power supervisor
Chip Select Outputs	4 x CS output lines for external expansion
Interrupts	1 x INT interrupt input line for external devices

### Other

Mechanical	64-pin DIL form factor
Size	28mm x 82mm
Power	3.3 VDC
Current	(depends on version) 300 mA typical

### Delivery

DNP/9200	DNP/9200 with pre-installed embedded Linux O/S
----------	--

**SSV GmbH**  
Embedded Systems  
Heisterbergallee 72  
D-30453 Hannover

Phone: +49 (0)511-40 000 45  
Fax: +49 (0)511-40 000 40  
[www.dilnetpc.com](http://www.dilnetpc.com)  
[kge@ist1.de](mailto:kge@ist1.de)